

SolarMount (E)volution

Unirac Grounding Clips - UGC-3

UGC-3

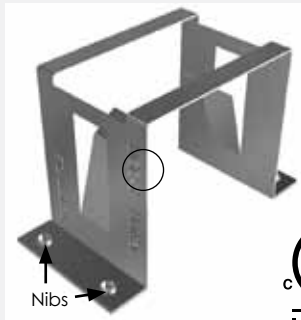


Figure 1. After placing the bottom portion of mid-clamp on the beam, slide the UGC-3 grounding clip over the Clamp so that the clip is fully seated on beam. Attach the top of the mid-clamp and torque modules in place on top of clip. The nibs will penetrate rail anodization and create a grounding path through rail. See details below.

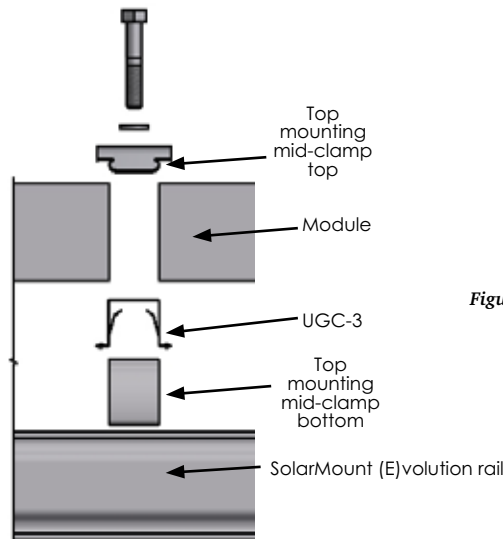
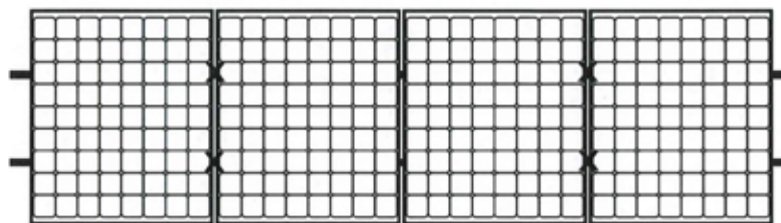
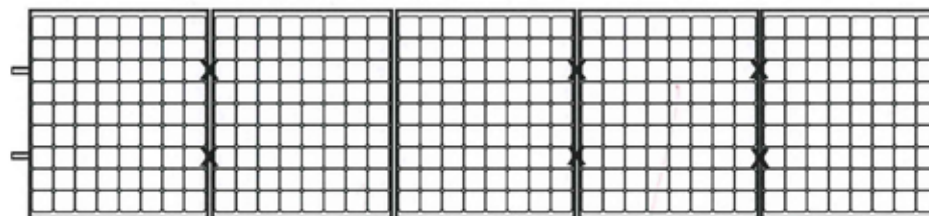


Figure 2. UGC-3 Installation Detail

Figure 3. UGC-3 layout for even and odd number of modules in row. "X" denotes places to install UGC-3.



Even Number of Modules in row



Odd Number of Modules in row

20-Year Limited Product Warranty

See <http://www.unirac.com> for current warranty documents and information.